

**UNIT PURE AIR CONTROL 1100:**

Model: PAC1100  
 Airflow: CONSTANT 1100M<sup>3</sup>/H  
 Available pressure: 200PA  
 Fan - RPM: 3737RPM  
 Motor: 0,507KW / 230V / 50-60HZ

**FILTRATION STEPS:**

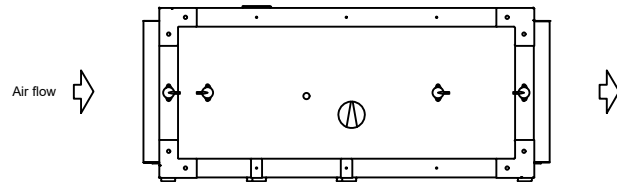
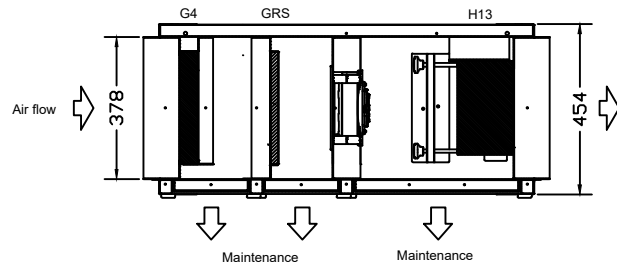
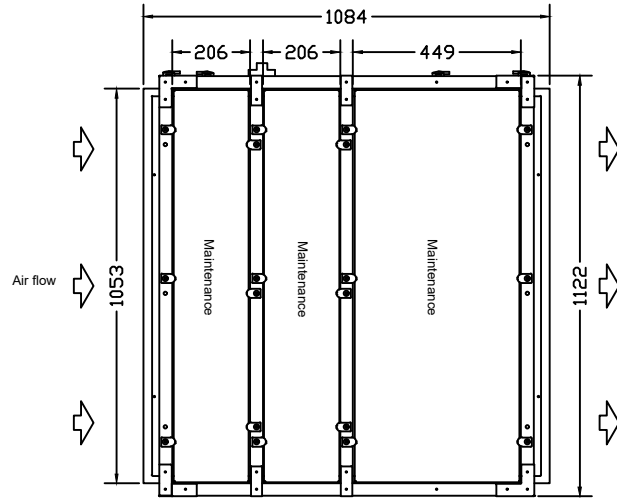
Prefilter: G4  
 Gas filter: GRSYSTEM  
 Absolute filter: HEPA H13  
 Approximate weight: 99KG

**ACCESORIES INCLUDED:**

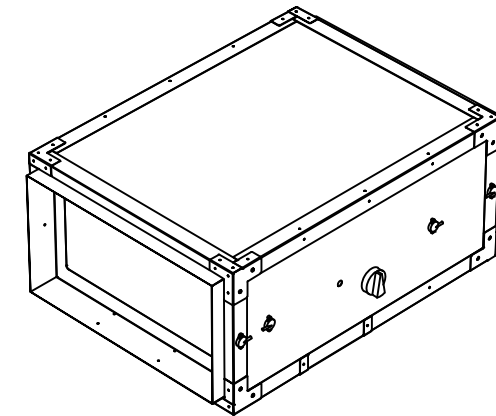
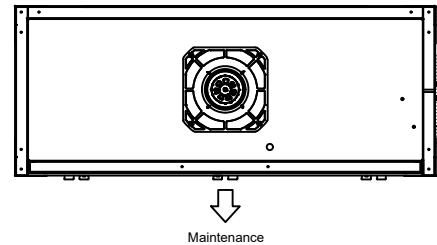
. Differential pressure switch in the filtration steps G4 & H13  
 . 4 units of Diam 10 fixing brackets

**VERSION:**

- V.01



Fan lw - dB (A)	63Hz	125Hz	250Hz	500Hz	1000Hz	2000Hz	4000Hz	8000Hz	dB(A)
Aspiration	59,6	62,3	65,3	66,2	66,7	65	61,3	56,8	71,3
Discharge	64,6	67,3	70,3	71,2	71,7	70	66,3	61,8	76,3
Radiate	45	49	53	59	63	63,5	60	56	68



**Notes:**

- 1.- The filter maintenance is performed by the bottom of the unit
- 2.- Unit of measurement: mm.

Maintenance side: BOTTOM  
 Conection side: RIGHT  
 Situation unit: INDOOR  
 Bench: NO  
 External finishing: PAINTED

Internal finishing: SMOOTH  
 Fan internal finishing: SMOOTH  
 Insulation tape: PUR  
 Insulation thickness: 30mm  
 Remarks: -

Client: XXXXXX  
 Project Number: XXXXXX

Model: PA1100  
 Escala: S.E.  
 Date: XX-XX-XXXX  
 Drawing by: LEM  
 Checked: SNB

