

UNIT PURE AIR CONTROL 2000:

Model: PAC2000
 Airflow: CONSTANT 2000M³/H
 Available pressure: 150PA
 Fan - RPM: 3219RPM
 Motor: 0,6KW / 230V / 50-60HZ

FILTRATION STEPS:

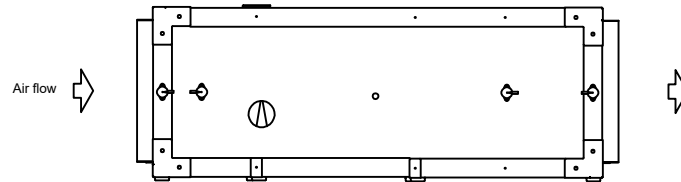
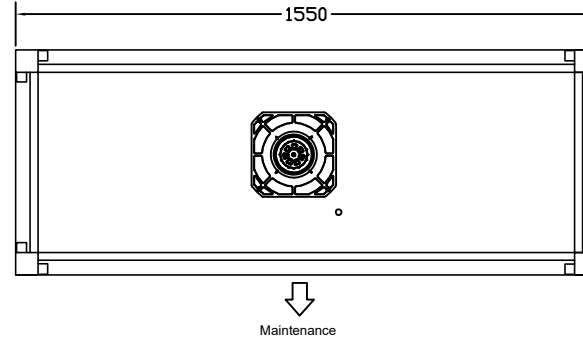
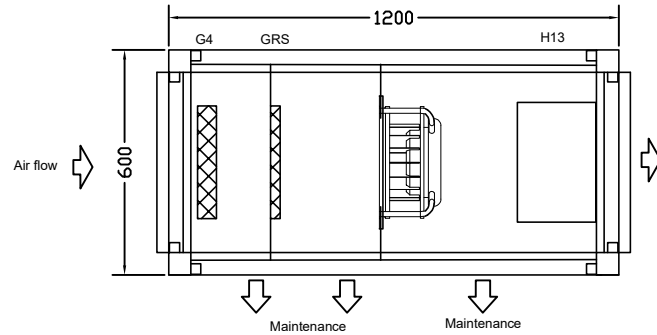
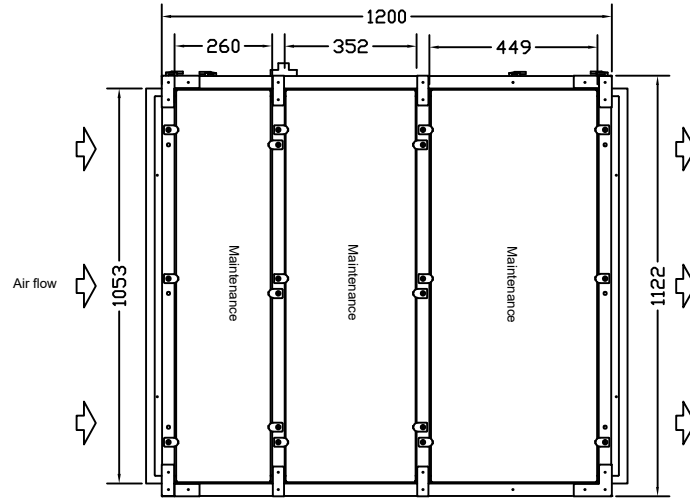
Prefilter: G4
 Gas filter: GRSYSTEM
 Absolute filter: HEPA H13
 Approximate weight: 200KG

ACCESORIES INCLUDED:

. Diferential pressure switch in the filtration steps G4 & H13
 . 4 units of Diam 10 fixing brackets

VERSION:

- V.01



Datos Acusticos	Aspiración	Descarga
Potencia Sonora Lw	73,0 dB	80,0 dB
Atenuación Acústica	20,0 dB	25,0 dB
Presión sonora a 1 mts	42,0 dB	44,0 dB
Presión sonora a 3 mts	32,5 dB	34,5 dB

* Datos calculados partiendo de datos motores

Notes:

- 1.- The filter maintenance is performed by the bottom of the unit
- 2.- Unit of measurement: mm.

Maintenance side: BOTTOM
 Conection side: RIGHT
 Situation unit: INDOOR
 Bench: NO
 External finishing: PAINTED

Internal finishing: SMOOTH
 Fan internal finishing: SMOOTH
 Insulation tape: PUR
 Insulation thickness: 30mm
 Remarks: -

Client: XXXXXX
 Project Number: XXXXXX

Model: PA2000
 Escala: S.E.
 Date: XX-XX-XXXX
 Drawing by: LEM
 Checked: SNB

