

**UNIT PURE AIR CONTROL 3000:**

Model: PAC3000  
 Airflow: CONSTANT 3000M<sup>3</sup>/H  
 Available pressure: 150PA  
 Fan - RPM: 3470RPM  
 Motor: 1,5KW / 230V / 50-60HZ

**FILTRATION STEPS:**

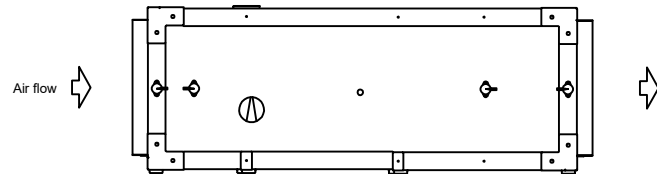
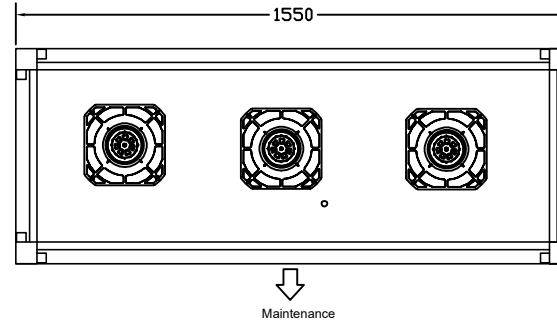
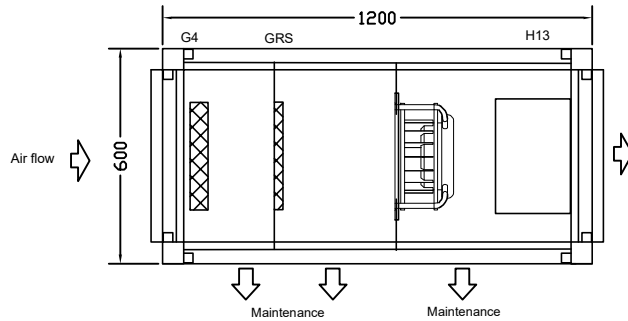
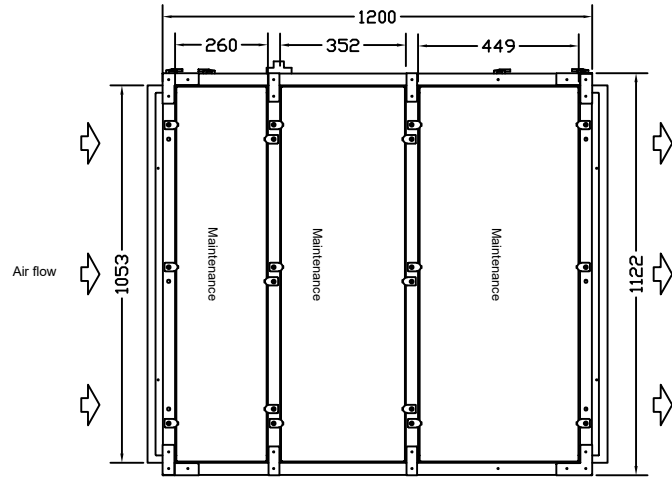
Prefilter: G4  
 Gas filter: GRSYSTEM  
 Absolute filter: HEPA H13  
 Approximate weight: 210KG

**ACCESORIES INCLUDED:**

. Diferential pressure switch in the filtration steps G4 & H13  
 . 4 units of Diam 10 fixing brackets

**VERSION:**

- V.01



Datos Acusticos	Aspiración Descarga	
Potencia Sonora Lw	73,0 dB	80,0 dB
Atenuación Acústica	20,0 dB	25,0 dB
Presión sonora a 1 mts	43,0 dB	44,0 dB
Presión sonora a 3 mts	33,5 dB	34,5 dB

\* Datos calculados partiendo de datos motores

**Notes:**

- 1.- The filter maintenance is performed by the bottom of the unit
- 2.- Unit of measurement: mm.

Maintenance side: BOTTOM  
 Conection side: RIGHT  
 Situation unit: INDOOR  
 Bench: NO  
 External finishing: PAINTED

Internal finishing: SMOOTH  
 Fan internal finishing: SMOOTH  
 Insulation tape: PUR  
 Insulation thickness: 30mm  
 Remarks: -

Client: XXXXXX  
 Project Number: XXXXXX

Model: PAC3000  
 Escala: S.E.  
 Date: XX-XX-XXXX  
 Drawing by: LEM  
 Checked: SNB

